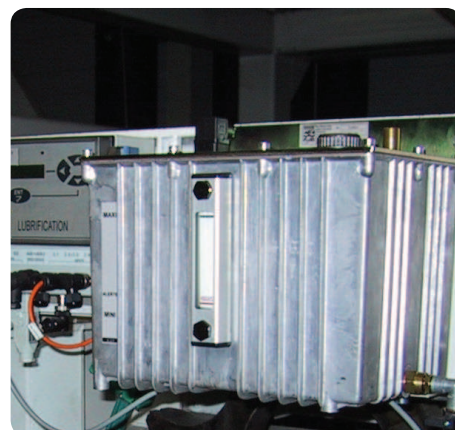
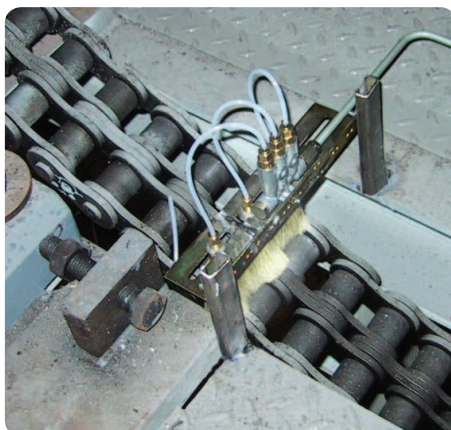
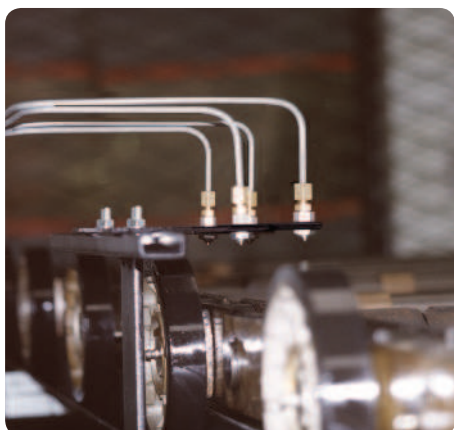


# Chain lubrication, accessories

Nozzles, oiling-brushes, reservoirs and other accessories for the chain lubrication



## Oil projection nozzle AC-A

Compact design, pinpoint accuracy, high temperature resistant, the projection nozzles AC-A suit perfectly to aggressive surroundings. These nozzles are spraying, **straight and without air**, microdosis of oil under pressure, which are delivered by pneumatic or electromagnetic micropumps. The spray distance can vary from a few centimeters up to several decimeters.

AC-A nozzles spray **mineral or synthetic oil** with a viscosity of 100 mm<sup>2</sup>/s at 40 °C.

The nozzle have a stainless steel body, fluorocarbon (FPM) seals and are equipped with a check valve. They are fed via tubes OD 4 with a max. length of 3 m.



AC-A-420

### Note

The tubes have to be imperatively metallic, as direct as possible, and without connector on the pump/ nozzle line. The inner diameter of the tube shall not exceed 3 mm.

### Order information

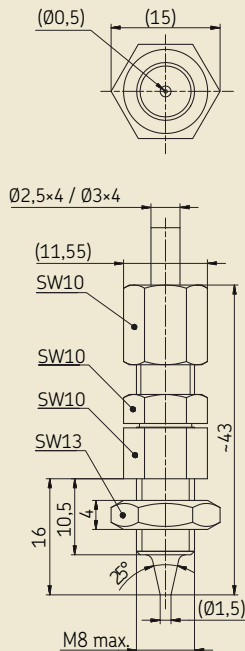
Order No.	Possible volume <sup>1)</sup> [mm <sup>3</sup> /stroke]	Number of outlet(s)	outlet Ø [mm]	Valve <sup>2)</sup> [bar]	Temperature [°C]	Seal	Fixing	Weight [g]
AC-A-410	10/60	1	0,5	6	-25 to +220	FPM	M 8×1,25	~25
AC-A-410-1	10/60	1	0,5	6	10 to 220	-	M 8×1,25	~22
AC-A-410-2	10/60	1	1,5	2	-25 to +220	FPM	M 8×1,25	~25
AC-A-420	2×~30 <sup>3)</sup>	2	0,5	6	-25 to +220	FPM	Ø 8,5	~50

1) The volume depends on the pump or distributor flow rate.

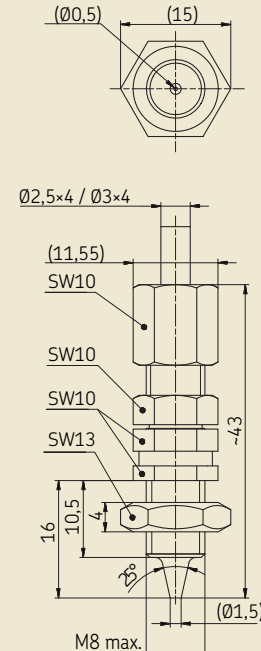
2) Valve setting at 20 °C for an oil with recommended viscosity

3) For a supply volume of 60 mm<sup>3</sup>

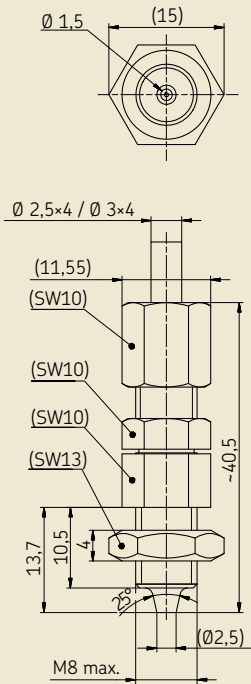
AC-A-410



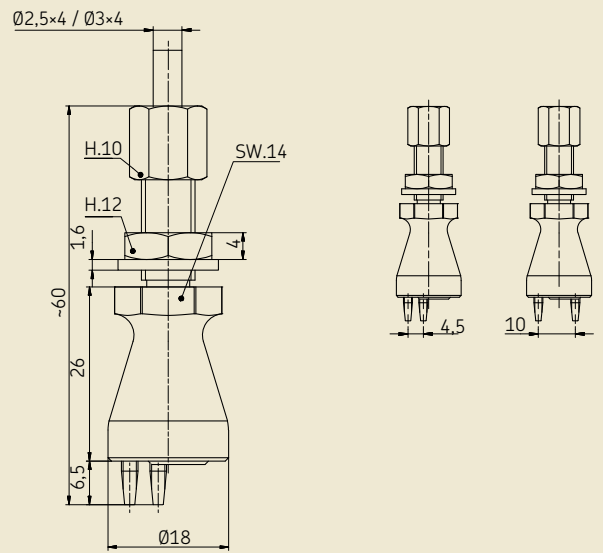
AC-A-410-1



AC-A-410-2



AC-A-420



**Fixation support**

**Fixation support** (nut and adjustable support for threaded nozzles)  
Order No. .... **UC-1065**

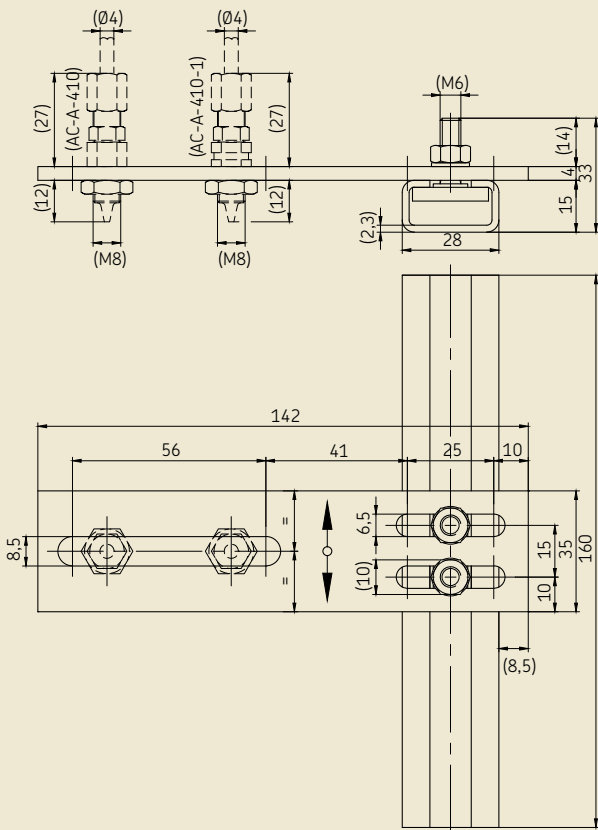
**Note**

Many factors have an influence on the projection quality:

- the lubricant viscosity
- the temperature
- the tube length
- the expected projection frequency

Therefore the result of the projection differs according to the application.

UC-1065




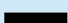




## Oiling brushes

Oiling brushes UC are used to apply lubricant to a chain. They ensure a constant lubricant film on the chain. These brushes are available in different shapes and sizes and with different materials (bristle, brass or polyamide) in order to better meet the needs and specification of the chains. The brushes are fed with tubes  $\varnothing 4 \times 0,75$ .

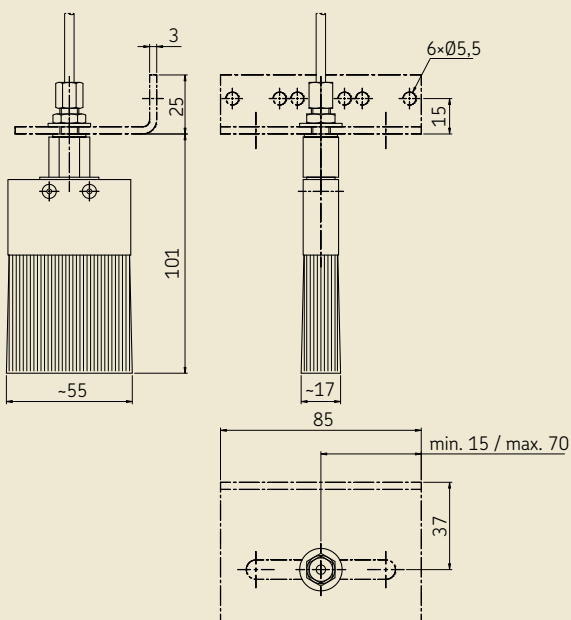
Brushes are delivered without bracket supports, which have to be ordered separately.



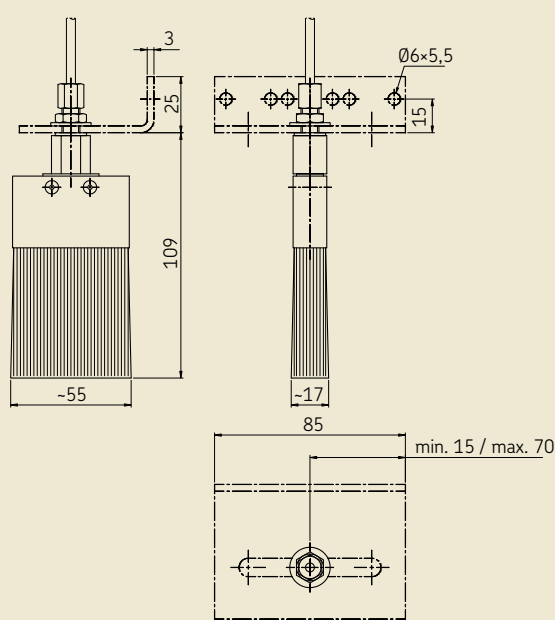
### Order information

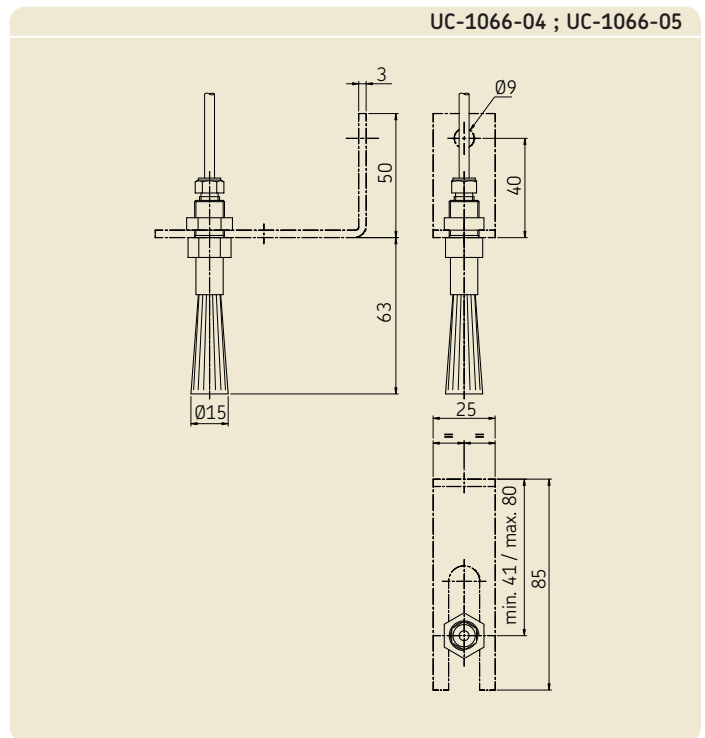
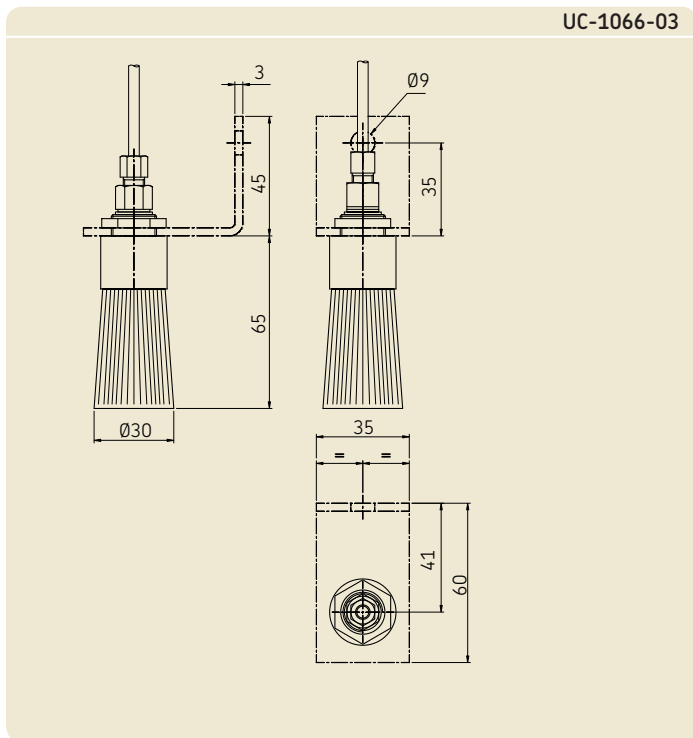
Order No.	Shape	Sizes [mm]	Temperature [°C]	Brush material	Fixation [mm]	Weight [g]	Bracket support Order No.
UC-1066-01		55 x 16	10 to 60	Bristle	$\varnothing 8,5$	110	AC.2879
UC-1066-02		55 x 16	10 to 200	Brass	$\varnothing 8,5$	160	AC.2879
UC-1066-03		$\varnothing 30$	10 to 60	Bristle	$\varnothing 19$	85	UC.1010.100
UC-1066-04		$\varnothing 15$	10 to 60	Bristle	$\varnothing 12,5$	45	AC.3398
UC-1066-05		$\varnothing 15$	10 to 80	Polyamide 6.6	$\varnothing 12,5$	45	AC.3398
UC-1066-06		55 x 16	10 to 80	Polyamide 6.6	$\varnothing 12,5$	45	AC.2879

UC-1066-01 ; UC-1066-06



UC-1066-02



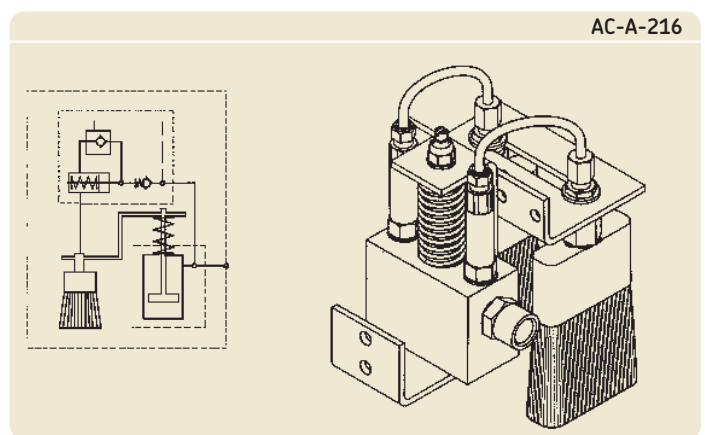


## Retractable oiling brushes

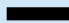


Retractable brushes with volumetric oil supply, driven by a motor pump.

These brushes are in contact with the chain only during the lubrication phases, which are controlled by a control unit. This control unit can set the brushes contact time with the chain, the oil injection frequency and the time between two lubrication phases. During a pause phase the brushes are lifted up to limit brushes wear.

Model AC.A.210: retractable brushes without metering unit.



### Order information

Order No.	Shape	Volume [mm <sup>3</sup> ]	Quantity	Sizes [mm]	Temperature [°C]	Brush material	Fixation [mm]	Ø tube [mm]	Weight [g]
AC.A.216.20		20	× 2	55 × 16	10 to 60	Bristle	2 × Ø6,5	8 × 1	940
AC.A.216.40		40	× 2	55 × 16	10 to 60	Bristle	2 × Ø6,5	8 × 1	940
AC.A.210				55 × 16	10 to 60	Bristle	2 × Ø6,5	8 × 1 & 4 × 0,75	600

## Oil reservoirs

These reservoirs, with a capacity of 3,3 l to 20 l, supply with lubricant the pneumatic or electromagnetic pumps of the chain lubrication system. They can be equipped with a stopcock valve for maintenance tasks on the lubrication system.

The lubricant min. level can be visually (sight glass) or electrically (level switch) monitored.

**On request:** Some reservoirs have an electric preheating device in order to maintain the lubricant at the optimal operating temperature. It is also possible to have some reservoirs with level switch with two switching points (warning and minimal).

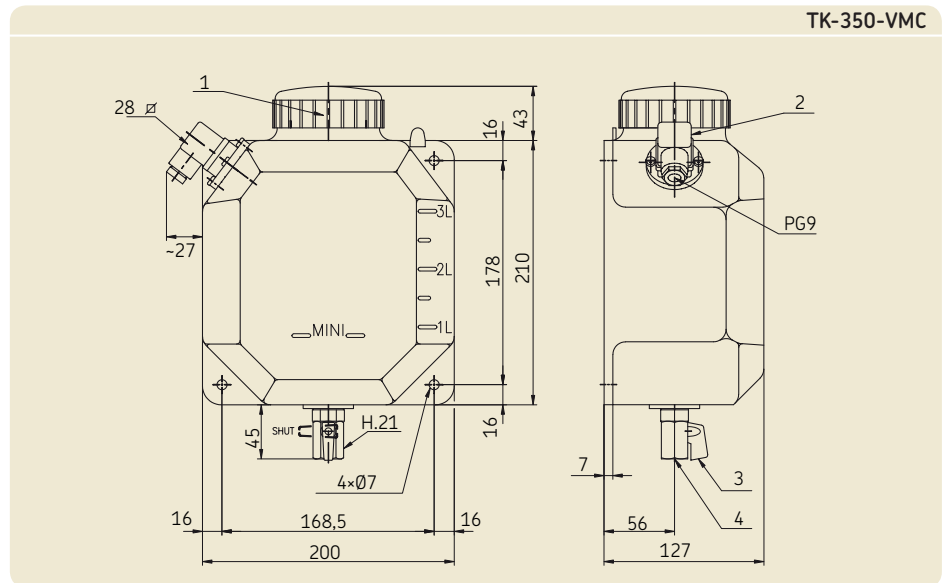


### Order information

Order No.	Capacity [l]	Material	Min. level switch	Stopcock valve	Filter [µm]	Operating temperature [°C]	Weight (ca.) [kg]
TK-350-VMC	3.3	PE	•	•	200 (outlet)	-10 to +60	1,2
TK-840-V	10	aluminum	–	•	400 (inlet)	-10 to +60	6,255
TK-840-VM	10	aluminum	•	•	400 (inlet)	-10 to +60	6,40
TK-940	20	aluminum	•	•	400 (inlet)	-10 to +60	15

### TK-350-VMC

1. Filling plug with filter
2. Min. level switch (with connector), NO, when the min. level is reached the contact opens.
3. Stopcock valve
4. Outlet port with filter G 1/4, max. depth 9 mm



## Chain lubrication, accessories

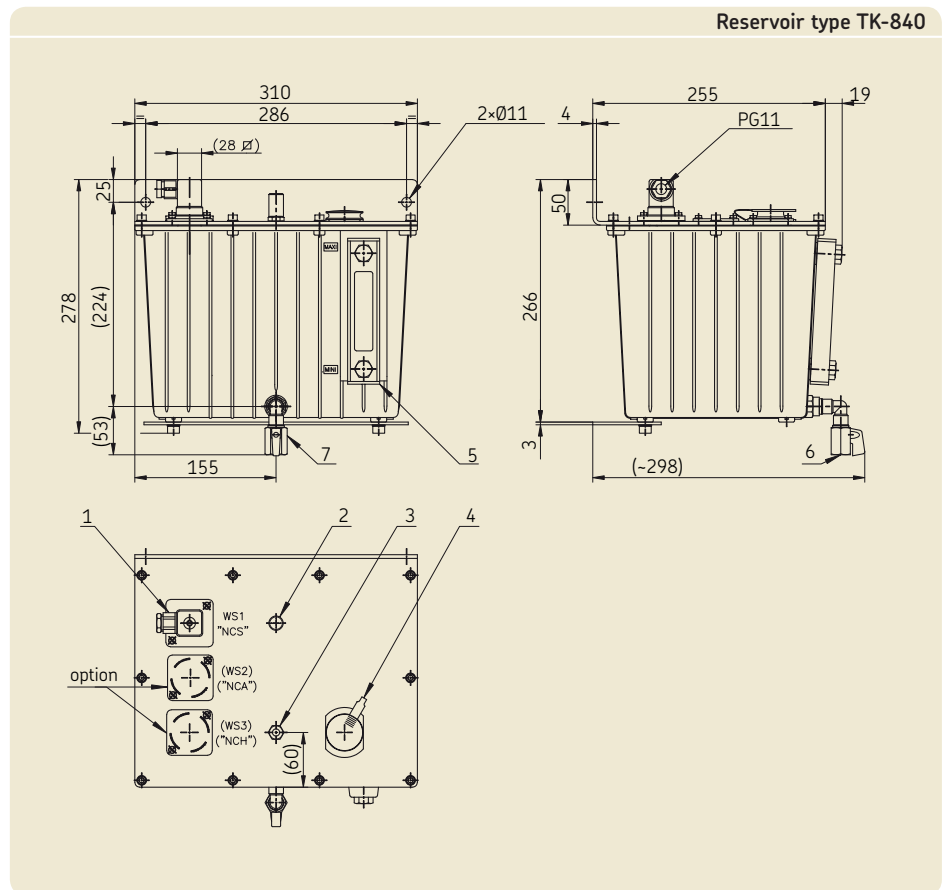
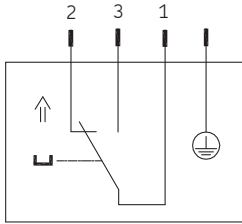
### TK-840-V / -VM

1. Min. level switch (with connector), change-over switch
2. Breather
3. Filling port Ø RP 1/4
4. Filling plug with filter
5. Sight glass
6. Outlet port G 1/4
7. Stopcock valve

#### Level switch

When min. filling level is reached.

- contact 1-2 opens
- contact 1-3 closes



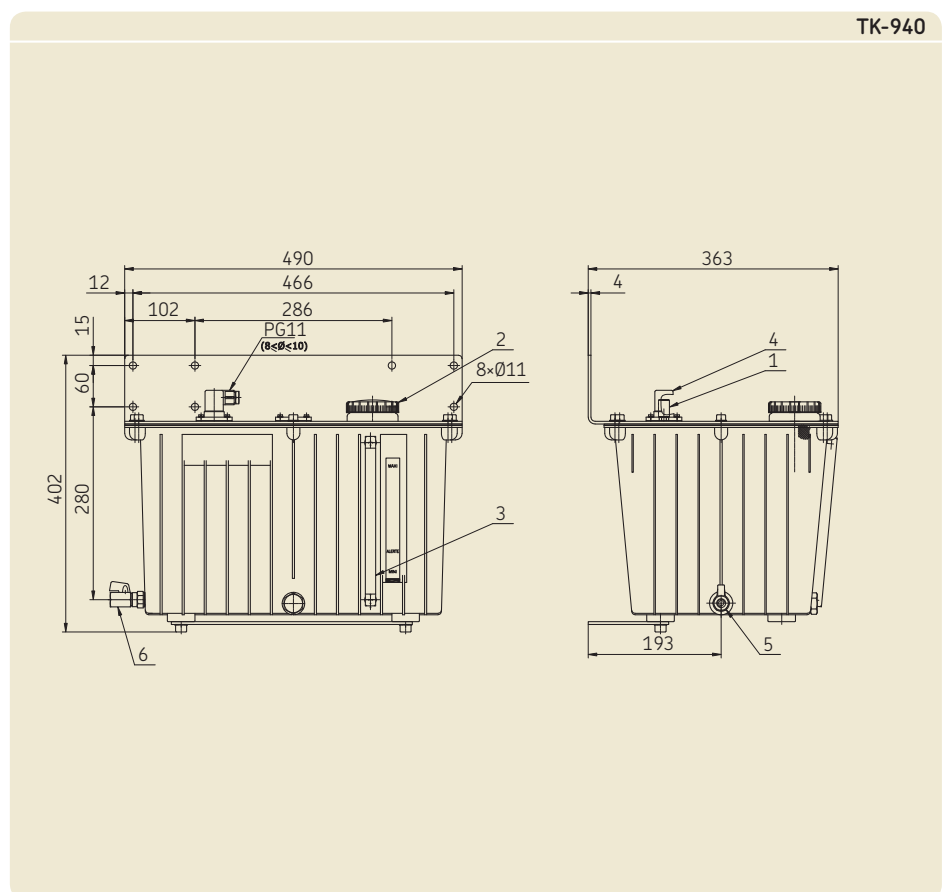
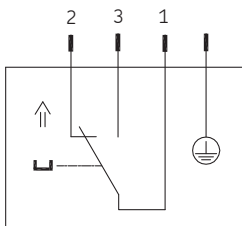
### TK-940

1. Breather
2. Filling plug with filter
3. Sight glass
4. Min. level switch (with connector), change-over switch
5. Outlet port G 1/4, max. depth 9 mm
6. Stopcock valve

#### Level switch

When min. filling level is reached.

- contact 1-2 opens
- contact 1-3 closes



## Proximity switch

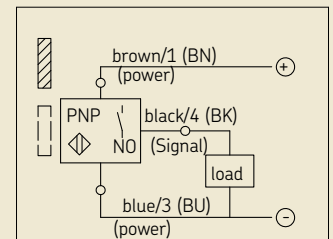
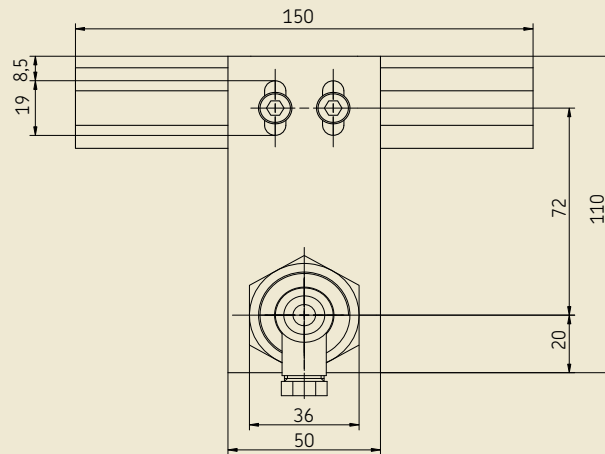
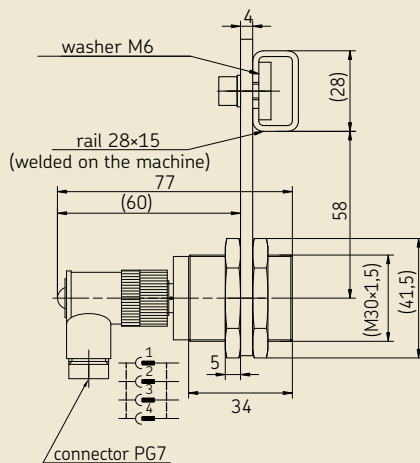
The inductive proximity switches are essential for the chain lubrication systems. They detect with accuracy and without any mechanical contact to the chain the position of the lubrication points on the running chain. When a lubrication point has been detected, the proximity switch sends a signal to the control unit, which triggers a lubrication impulse (actuation of the pump).

The proximity switches are delivered with the connector or the cable, and the bracket support.

### Order information

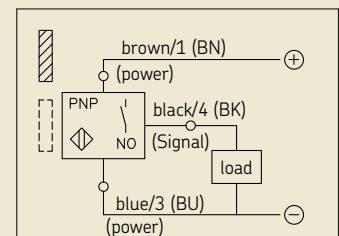
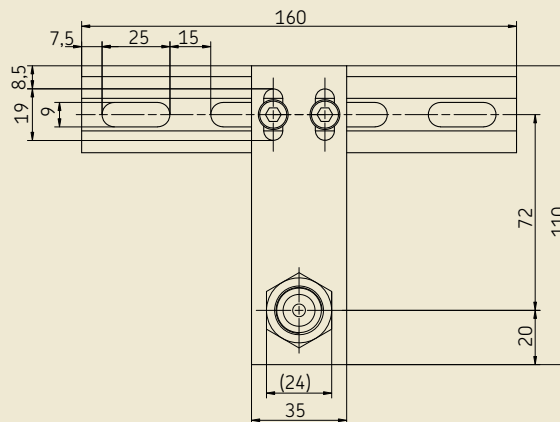
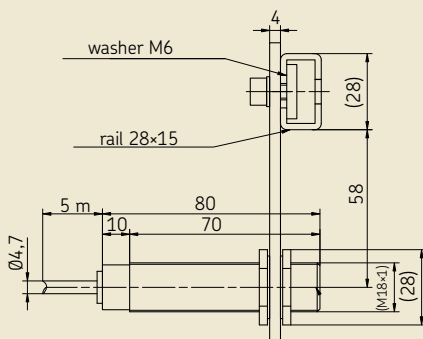
Order No.	Type	Nominal sensing distance (Sn)	Operating voltage	Service temperature [°C]	Housing
UC-1060-11	3 wires, PNP, NO	15 mm	12 to 24 V DC	-25 to +80	plastic, IP67
UC-1060-14	3 wires, PNP, NO	5 mm	10 to 30 V DC	-40 to +175	metal, IP67
UC-1060-16	3 wires, PNP, NO	5 mm	12 to 48 V DC	-25 to +80	metal, IP68
UC-1060-17	2 wires, NO	5 mm	24 to 240 V AC / 24 to 210 V CC	-25 to +80	metal, IP68
UC-1060-19	3 wires, PNP, NO	10 mm	10 to 30 V DC	-25 to +70	metal, IP67

### UC-1060-11



wiring diagram

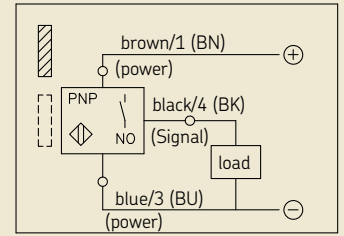
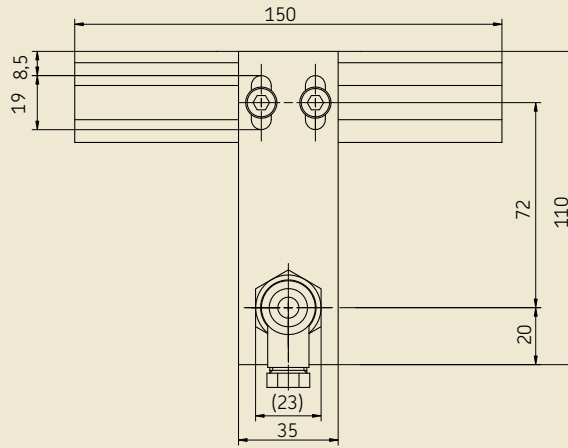
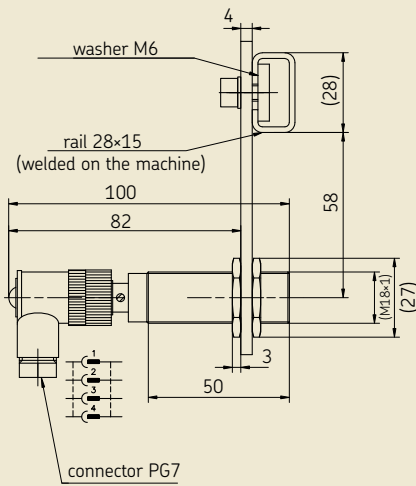
### UC-1060-14



wiring diagram

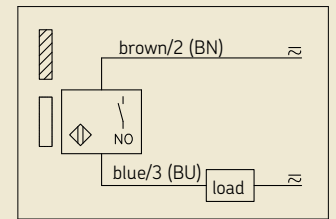
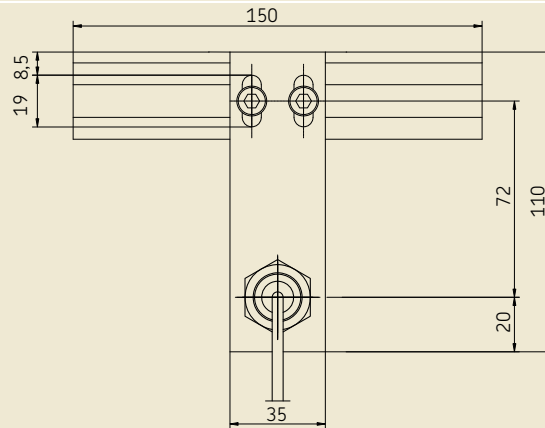
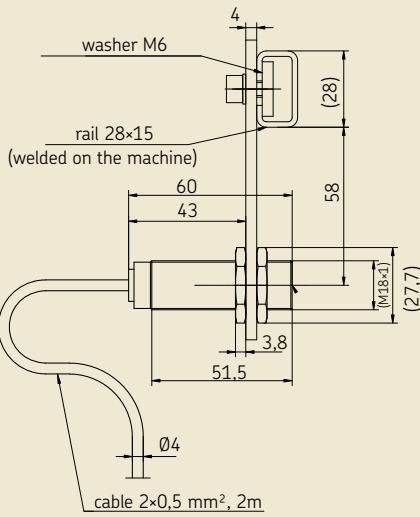


UC-1060-16



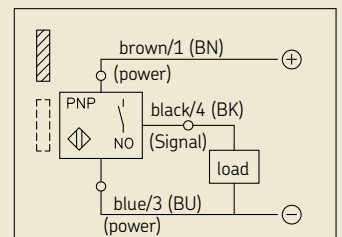
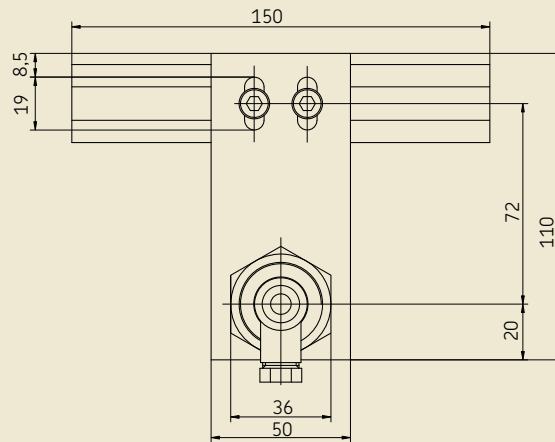
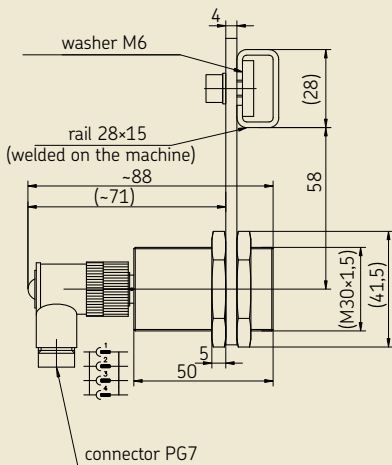
wiring diagram

UC-1060-17



wiring diagram

UC-1060-19



wiring diagram

## Connection kits: reservoir / pumps

SKF offers several connection kits to connect the reservoir to the pump(s) PE. These kits differ in terms of the outlet connector G 1/4 (straight or elbow) and the number of pumps.

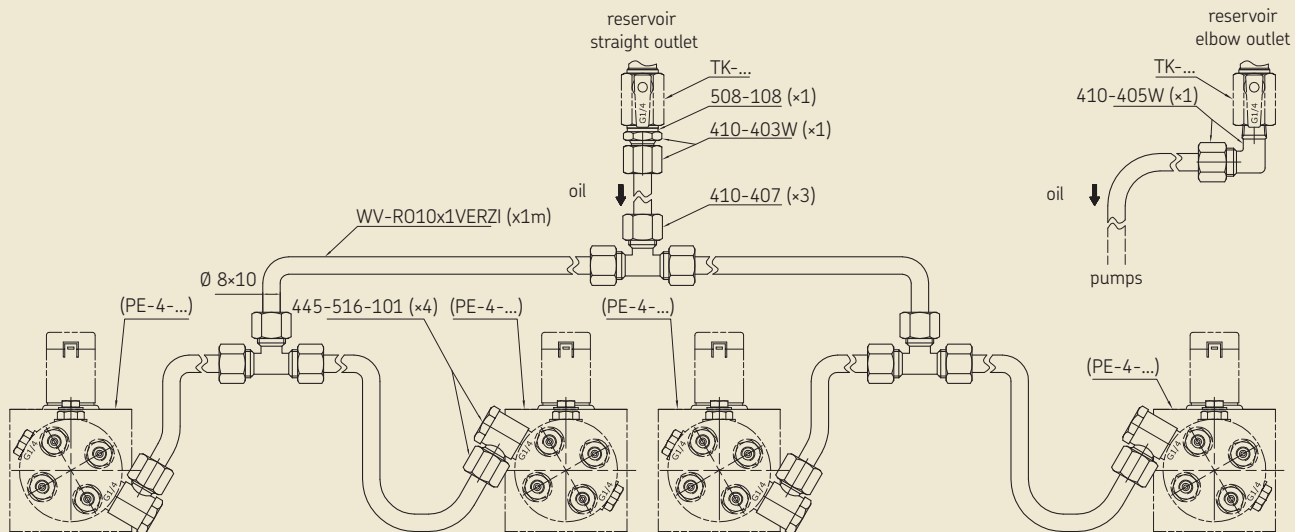
### Order information

Order No.	Reservoir outlet	Pump(s)	Description
UC-1070-1	straight	1	straight connector (× 1), copper seal (× 1), steel tube (1 m), banjo fitting (× 1)
UC-1070-2	straight	2	straight connector (× 1), copper seal (× 1), steel tube (1 m), banjo fitting (× 2), T connector (× 1)
UC-1070-3	straight	3	straight connector (× 1), copper seal (× 1), steel tube (1 m), banjo fitting (× 3), cross connector (× 1)
UC-1070-4	straight	4	straight connector (× 1), copper seal (× 1), steel tube (1 m), banjo fitting (× 4), T connector (× 3)
UC-1071-1	elbow	1	elbow connector (× 1), steel tube (1 m), banjo fitting (× 1)
UC-1071-2	elbow	2	elbow connector (× 1), steel tube (1 m), banjo fitting (× 2), tee connector (× 1)
UC-1071-3	elbow	3	elbow connector (× 1), steel tube (1 m), banjo fitting (× 3), cross connector (× 1)
UC-1071-4	elbow	4	elbow connector (× 1), steel tube (1 m), banjo fitting (× 4), tee connector (× 3)

### Connection kit for 4 pumps PE

UC-1070-4 (for reservoir with straight outlet connector)

UC-1071-4 (for reservoir with elbow outlet connector)



### Connectors and tubes for the connection reservoir / pump

	Order No.
Copper washer	508-108
Straight screw-in connector	410-403W
Elbow screw-in connector	410-405W
Steel tube Ø8x10	WV-R010x1VERZI
Banjo fitting	445-516-101
Tee connector	410-407
Cross connector	446-310-001
Straight connector* for tube OD 10	410-410
Flange* for tube OD 10	610-001

\*) These parts are not included in the kits

## Connection pumps / nozzles or brushes

### Connectors and tubes for the connection pump/nozzles or brushes

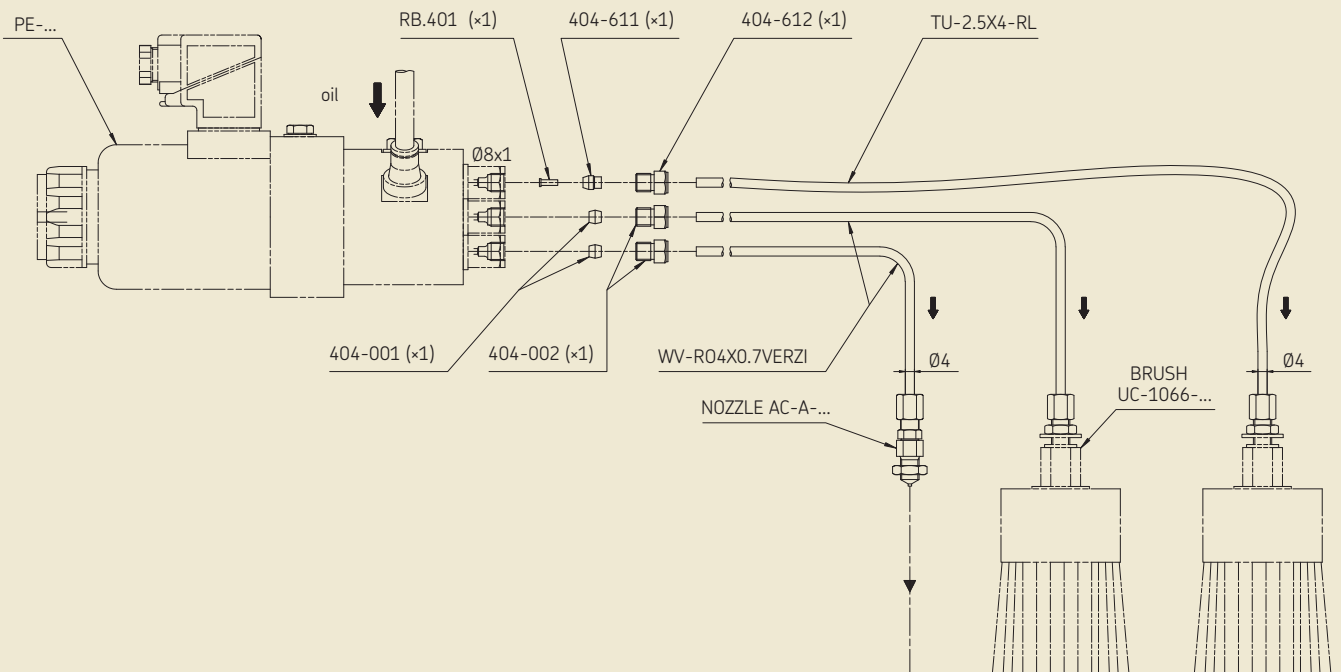
Connection pump / nozzle	Order No.
Steel tube $\varnothing 4 \times 0,7$ . . . . .	WV-R04x0,7VERZI
Connector (pump outlet) . . . . .	404-002
Double tapered sleeve (pump outlet) . . . . .	404-001

Connection pump / brush	Order No.
Steel tube $\varnothing 4 \times 0,7$ . . . . .	WV-R04x0,7VERZI
Connector (pump outlet) . . . . .	404-002
Double tapered sleeve (pump outlet) . . . . .	404-001

Hose, polyamide, $\varnothing 2,5 \times 4$ . . . . .	TU-2.5x4-RL
Reinforcing socket (pump outlet) . . . . .	RB.401
Tapered sleeve (pump outlet) . . . . .	404-611
Connector (pump outlet) . . . . .	404-612

\*) Nozzles and brushes are delivered with their own fittings.

### Connection pumps / nozzles or brushes



## Drip pan

The drip pans are designed for the electro-magnetic pump PE. They prevent any pollution in the case of leakage at the connections or during maintenance tasks.

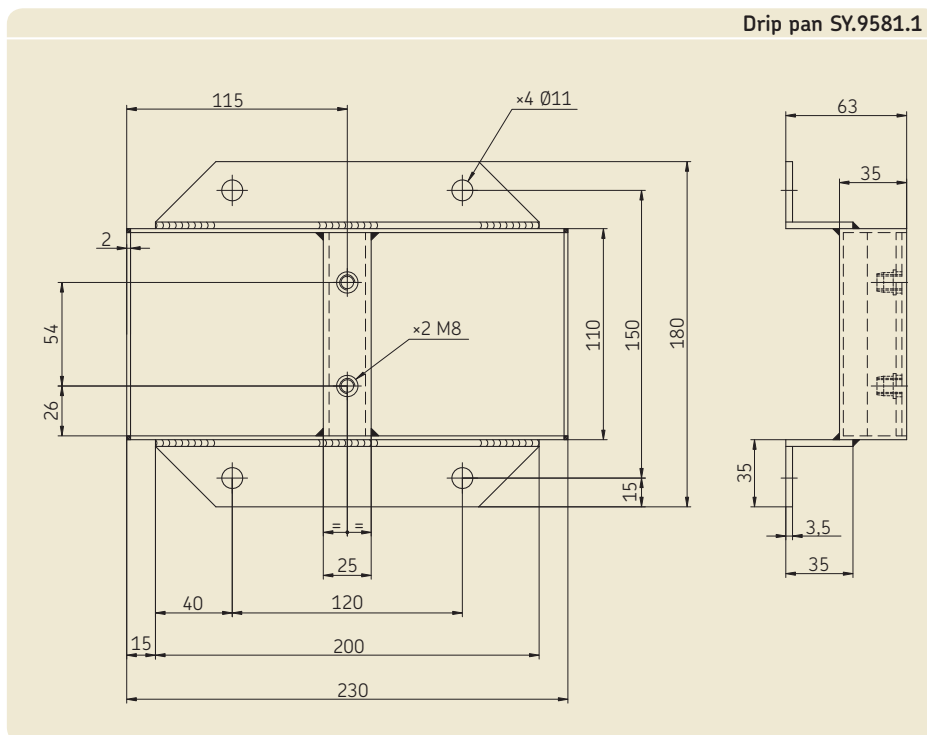
### Technical data

#### Drip pan for 1 pump PE\*

Capacity ..... 0,7 l  
Material ..... steel

Order No. .... **SY.9581.1**

\*) The drip pan is delivered with screws and washers for the fixation of the pump.



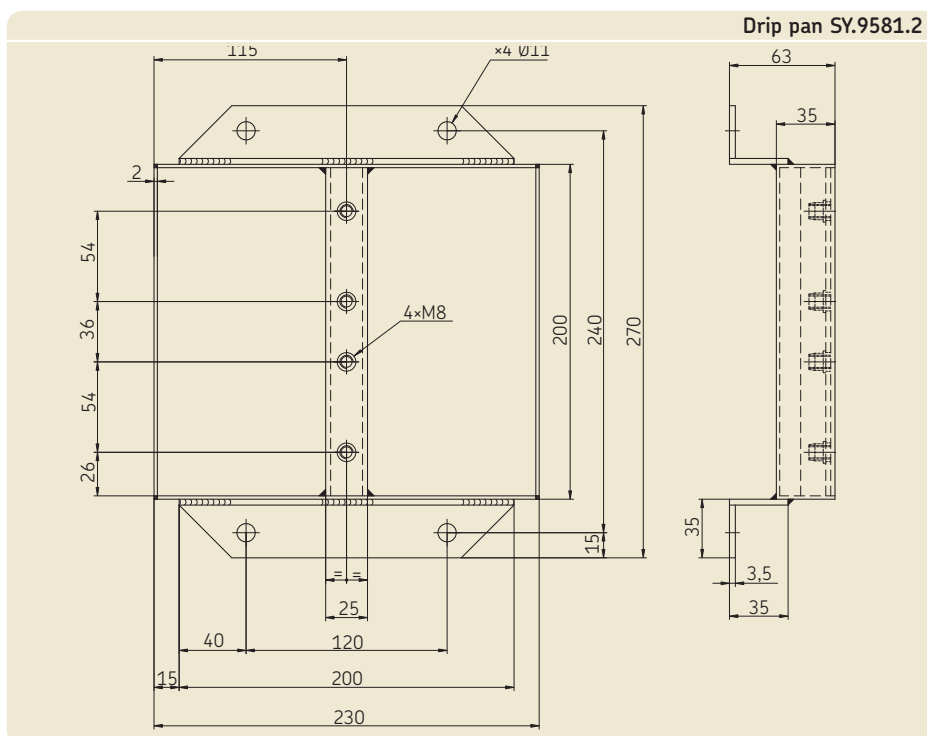
### Technical data

#### Drip pan for 2 pumps PE\*

Capacity ..... 1,4 l  
Material ..... steel

Order No. .... **SY.9581.2**

\*) The drip pan is delivered with screws and washers for the fixation of the pumps



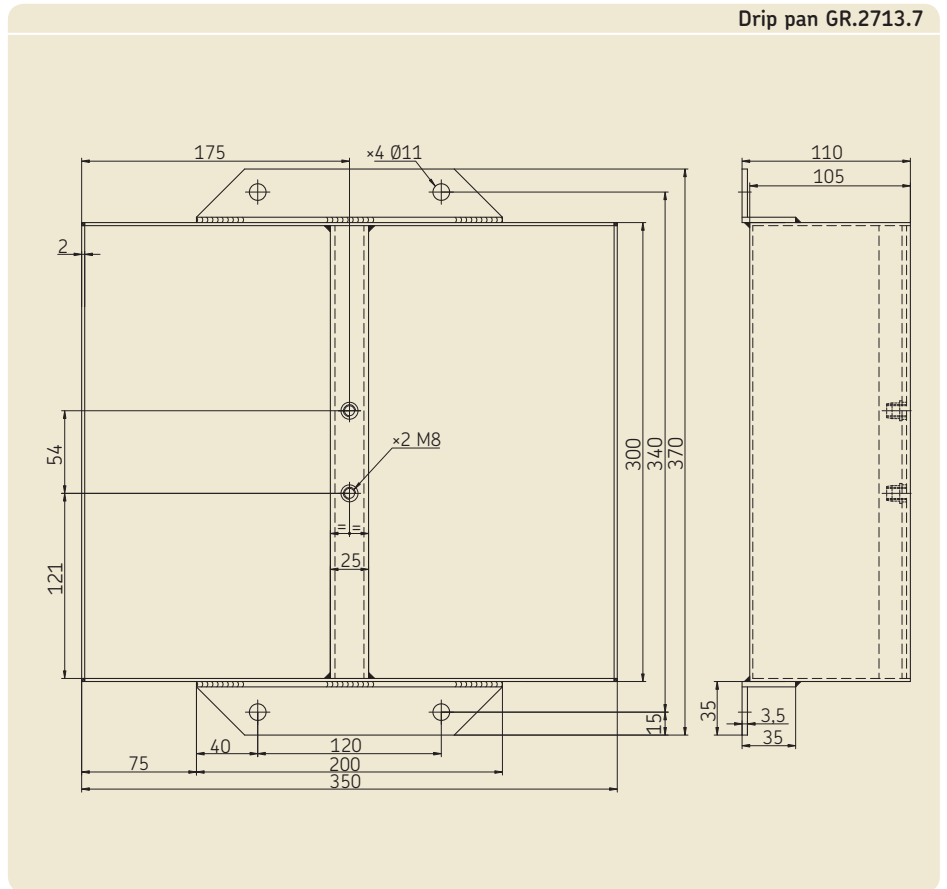
Technical data

Drip pan for 1 pump PE\*

Capacity .....10,4 l  
 Material..... steel

Order No. .... GR.2713.7

\*) The drip pan is delivered with screws and washers for the fixation of the pump.



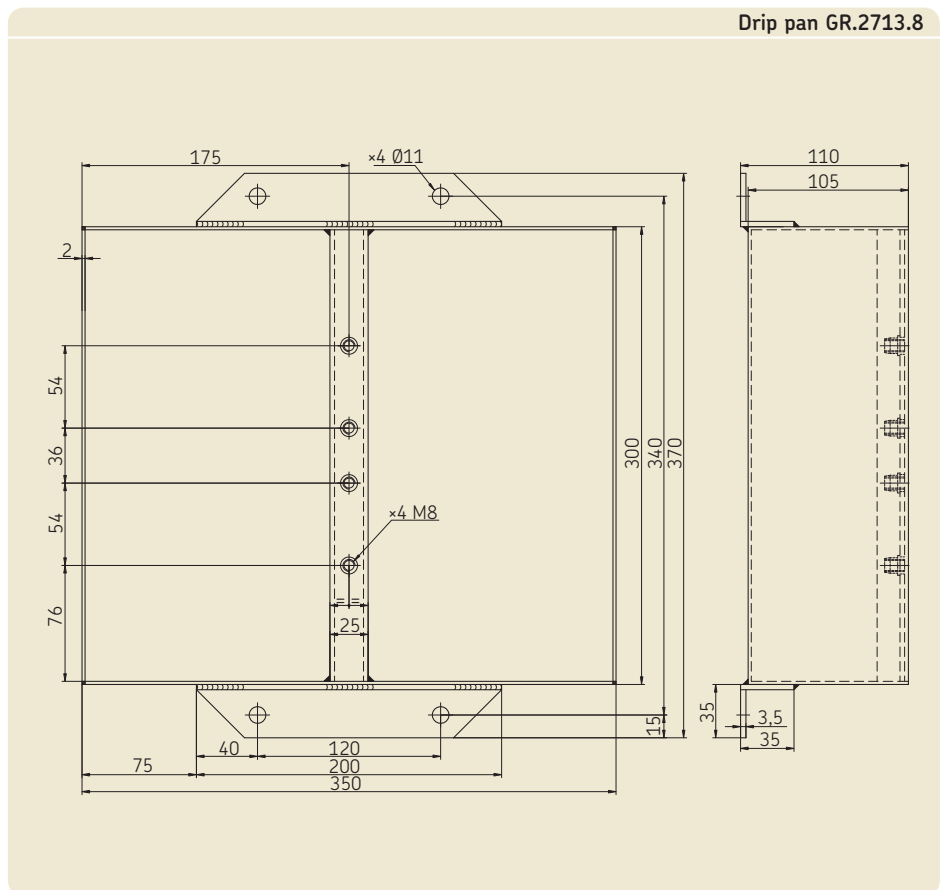
Technical data

Drip pan for 2 pumps PE\*

Capacity .....10,4 l  
 Material..... steel

Order No. .... GR.2713.8

\*) The drip pan is delivered with screws and washers for the fixation of the pumps.







**No.: 1-4106-EN**

Subject to change without notice! (10/2014)

**Important information on the use of products**

All SKF products may be used strictly respecting the instructions described in this brochure or the operating instructions. If the operating instructions are supplied with the product, they must be read carefully and respected.

None of the lubricants is compatible with the centralized lubrication systems! On the user's demand, SKF can check the compatibility of the lubricant chosen with the centralized lubrication systems. All products or their components manufactured by SKF are incompatible with the use of gas, liquefied gases, vaporized gas under pressure, vapors and any fluid with a vapor pressure greater than 0.5 bar at normal atmospheric pressure (1013 mbar) for the maximum permissible temperature.

More specifically, we call your attention to the fact that hazardous products of any kind, especially products classified as hazardous by the EC Directive 67/548/EEC, Article 2, paragraph 2, can only be used to feed the SKF centralized lubrication systems, transported or distributed by these systems after consultation with SKF and obtaining written permission.

**Further brochures:**

1-9201-EN Transport of Lubricants in Centralized Lubrication Systems

This brochure was presented by:

® SKF is a registered trademark of the SKF Group.

© SKF Group 2014

The contents of this publication are the copyright of the publisher and may not be reproduced (even extracts) unless prior written permission is granted. Every care has been taken to ensure the accuracy of the information contained in this publication but no liability can be accepted for any loss or damage whether direct, indirect or consequential arising out of the use of the information contained herein.

